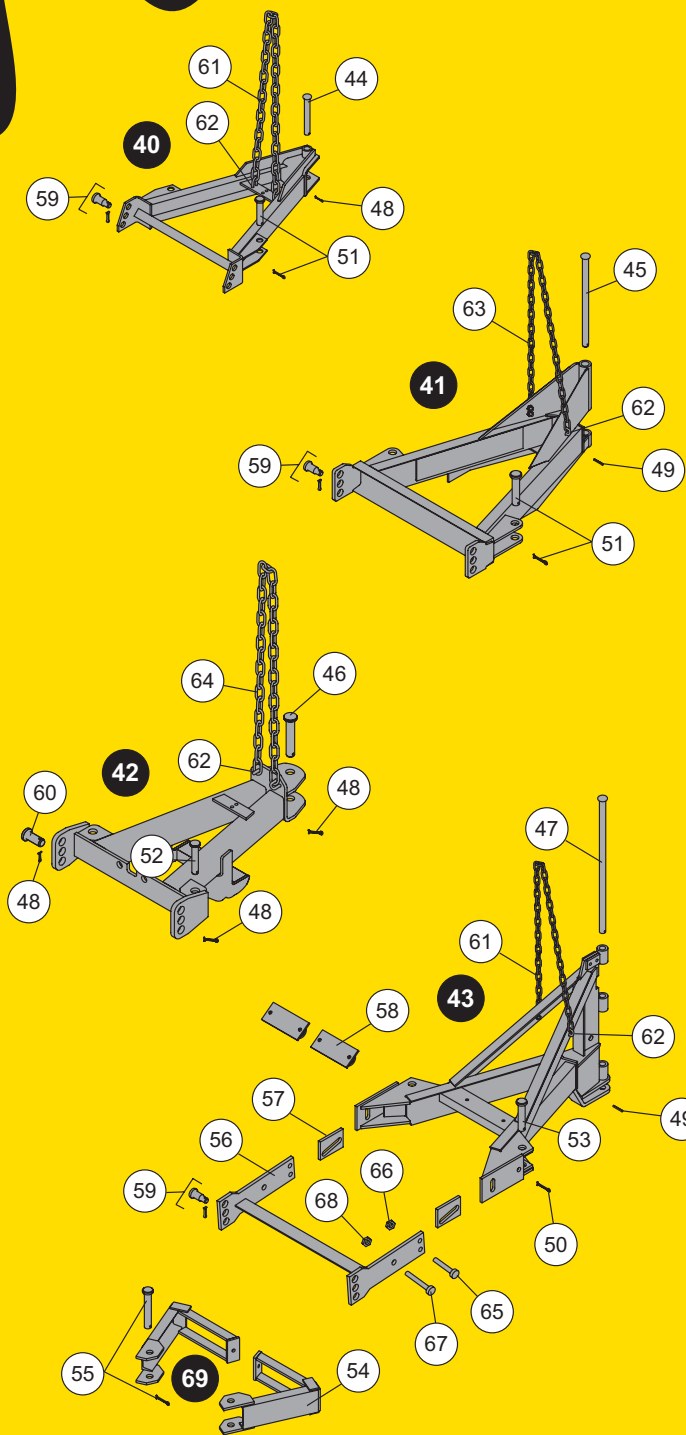


\*\* LD and MC components may look different than illustration shown. \*\*

### HEADGEAR

Item	Part	Description	Item	Part	Description
1	27742	Headgear (LD)	15	26833	1 OD x 6-15/16 Pin
2	27454	Headgear (RD, HD, X, V)	16	90315	3/8 Flat Washer
3	28571	Headgear (MC)	17	91902	1/8 x 1 Cotter Pin
4	26757-1	L/R Arm Kit - Yellow (LD, RD, HD, X, V)	18	27162K	Stop Clip Kit
5	27560-1	L/R Arm Kit - Silver (LD, RD, HD, X, V)	19	26188	Thimble
6	28350-1	L/R Arm Kit - (MC)	20	27535	Handle Cover Kit
7	28991	Stop Link Kit	21	27465	Link Arm
8	27741	Jack (LD)	22	90043	3/8-16 x 2 Hex Cap Screw G5
9	27462	Jack (RD, HD, X, V)	23	91333	3/8-16 Hex Locknut GB
10	26172	Jack (MC)	24	26219	Clevis Pin Kit
11	27163K	Bushing Kit (2 Bushings)	25	7904K	Clevis Pin w/Cotter Pin
12	4289K	3/4 x 1-7/8 Machine Pin w/Cotter Pin	26	29038	Heat-Treated Clevis Pin w/Cotter Pin
13	90658	5/32 x 1-1/4 Cotter Pin	27	27534	Spring / U-Bolt Kit
14	27468	Handle-Link Arm Assembly	28	27171K	Clevis Kit
15	27166K	Wire Cam Kit - DS	29	27169K	Cable Kit
16	27167K	Wire Cam Kit - PS	30	27075	1/8 Wire Rope Clip
17	27478	Jack Lock	31	27172K	Clamp Loop Kit
18	27461	3/4 OD x 3-1/2 Compression Spring	32	27164K	Jack Handle Kit
19	27168K	Connecting Pin Kit	33	91192	Round Flat Washer (V Only)
20	821	1 ID x 3-1/2 Compression Spring	34	8284K	Cable Boot

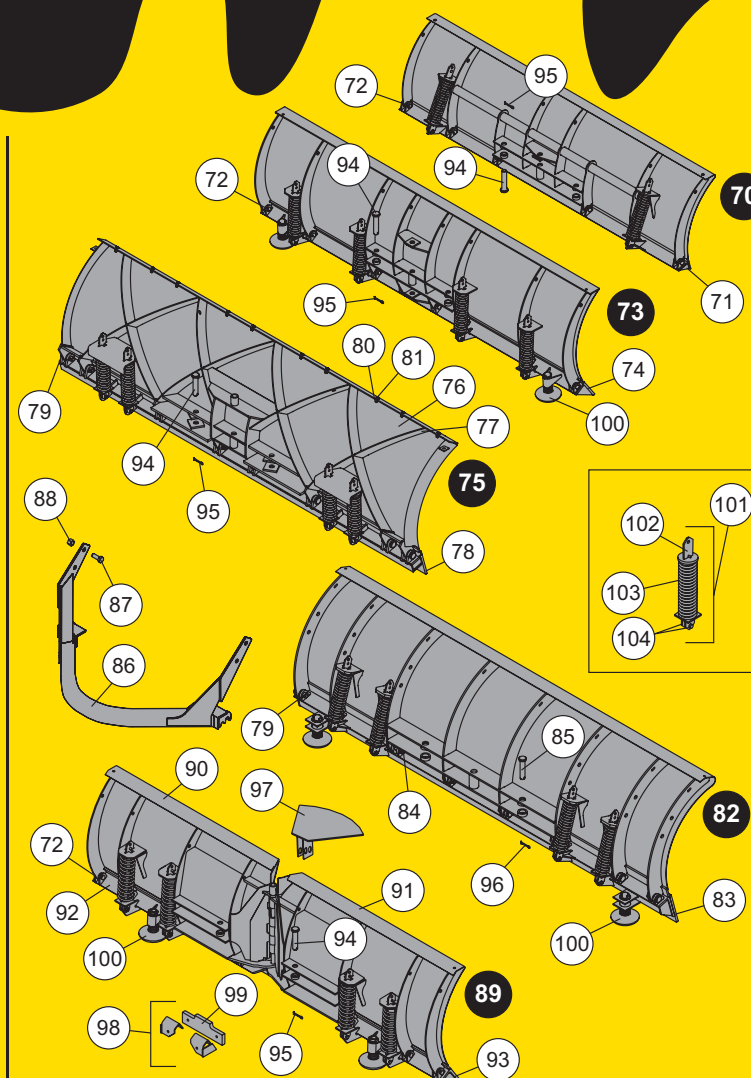
G = grade



### A-FRAMES

Item	Part	Description	Item	Part	Description
40	27995-1	A-Frame w/Hardware (LD)	55	7905K	Pivot Pin w/Cotter Pin
41	27598	A-Frame w/Hardware (RD, HD, X)	56	27345	Push Assembly
42	27850	A-Frame (MC)	57	27346	Slotted Plate
43	27400	A-Frame (V)	58	27533	A-Frame Stop
44	27979	1 x 8 Clevis Pin	59	27177K	Step Pin Kit
45	26060	1 OD x 15-13/16 Pivot Pin	60	26164	1-1/4 x 3-1/16 Pin
46	20789	1-1/4 x 6-3/4 Pivot Pin	61	27912	Chain Bag (LD, V)
47	20988	V-Plow Pivot Pin	62	A6148K	U-Bolt w/Hardware
48	90013	1/4 x 2 Cotter Pin	63	26999	Chain Bag (RD, HD, X)
49	26463	1/4 x 2 Slotted Spring Pin	64	28351	Chain Bag (MC)
50	90601	1/4 x 1-1/2 Cotter Pin	65	98003	5/8-11 x 2 Flanged Head GG
51	7903K	Anchor Pin w/Cotter Pin	66	98004	5/8-11 Hex Flange Locknut G8
52	20790	Commercial Ram Pin	67	98037	3/4-10 x 2-1/2 Hex Cap Screw
53	22260	1 OD x 4-3/4 Clevis Pin	68	98019	3/4-10 Hex Flange Locknut GG
54	26583	Blade Stop	69	26634	Blade Stop Kit

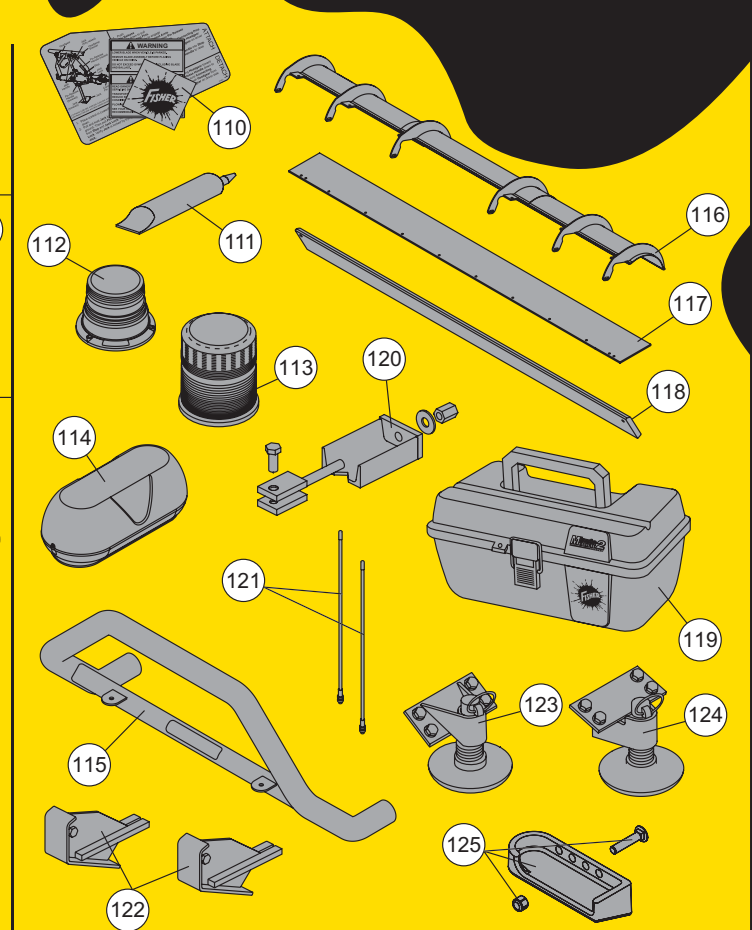
G = grade



### BLADES

Item	Part	Description	Item	Part	Description
70	28069	6'-9" Blade (LD <sup>2</sup> )	81	98035	3/8-16 x 1 Button Cap Screw (w/o Deflector)
	27775	7-1/2" Blade (LD <sup>2</sup> )		98042	3/8-16 x 1-1/2 Button Cap Screw (w/Deflector)
71	22180	6'-9" Base Angle (LD <sup>1</sup> )	82	29250	9" Blade (MC <sup>2</sup> )
	28003	6'-9" Base Angle (LD <sup>2</sup> )		29350	10" Blade (MC <sup>2</sup> )
	22181	7-1/2" Base Angle (LD <sup>1</sup> )	83	27259	9" Base Angle (MC <sup>2</sup> )
	27824	7-1/2" Base Angle (LD <sup>2</sup> )		26949	9" Base Angle (MC <sup>2</sup> )
72	5523K	3/4 x 2-3/16" Machine Pin w/Cotter Pin		27240	10" Base Angle (MC <sup>2</sup> )
73	27500	7-1/2" M-Series Blade (RD)		26950	10" Base Angle (MC <sup>2</sup> )
	28000	8" M-Series Blade (HD)	84	7903K	1 x 4 Anchor Pin w/Cotter Pin
	28500	8-1/2" M-Series Blade (HD)	85	20790	Commercial Ram Pin
	29000	9" M-Series Blade (HD)		28288	Angle Frame (MC <sup>2</sup> )
74	29440	7-1/2" Base Angle (RD)		28639	Angle Frame (MC <sup>2</sup> )
	26441	8" Base Angle (HD)	87	90129	5/8-11 x 2 Hex Cap Screw G5 (MC <sup>2</sup> )
	26442	8-1/2" Base Angle (HD)		90286	3/4-10 x 2 Hex Cap Screw G5 (MC <sup>2</sup> )
	26443	9" Base Angle (HD)	88	91337	5/8-11 Hex Locknut GB (MC <sup>2</sup> )
75	27510	7-1/2" Stainless Steel Blade (X)		90645	3/4-10 Hex Locknut GB (MC <sup>2</sup> )
	27512	7-1/2" Mild Steel Blade (X)	89	28885	8-1/2" Blade w/A-Frame (V)
	28100	8" Stainless Steel Blade (X)		28895	9-1/2" Blade w/A-Frame (V)
	28200	8" Mild Steel Blade (X)	90	21569	8-1/2" Blade Half w/o Trip Springs - DS (V)
	28510	8-1/2" Stainless Steel Blade (X)		26599	8-1/2" Blade Half w/o Trip Springs - DS (V)
	28520	8-1/2" Mild Steel Blade (X)	91	21570	8-1/2" Blade Half w/o Trip Springs - PS (V)
	29100	9" Stainless Steel Blade (X)		26600	9-1/2" Blade Half w/o Trip Springs - PS (V)
	29200	9" Mild Steel Blade (X)	92	21564	8-1/2" Base Angle - DS (V)
76	26325	7-1/2" Stainless Steel Moldboard (X)		26597	9-1/2" Base Angle - DS (V)
	26301	7-1/2" Mild Steel Moldboard (X)	93	21565	8-1/2" Base Angle - PS (V)
	28103	8" Stainless Steel Moldboard (X)		26598	9-1/2" Base Angle - PS (V)
	28101	8" Mild Steel Moldboard (X)	94	22260	1 OD x 4-3/4 Clevis Pin
	28415	8-1/2" Stainless Steel Moldboard (X)		90601	1/4 x 1-1/2 Cotter Pin
	28414	8-1/2" Mild Steel Moldboard (X)	95	90013	1/2 x 2 Cotter Pin
	29103	9" Stainless Steel Moldboard (X)	97	21873	Center Deflector
	29101	9" Mild Steel Moldboard (X)	98	28658	Center Flap Kit
77	26327	7-1/2" Blade Frame w/o Base Angle (X)	99	63508	Rubber Flap
	27538	Blade Frame w/o Base Angle (X)	100	26523	6" Solid Cast Shoe Assy (RD, HD, MC, V)
	28396	8-1/2" Blade Frame w/o Base Angle (X)	101	26464	Removable Spring Assy (LD <sup>2</sup> , X, 9" MC, 10" MC <sup>2</sup> )
	28396	8-1/2" Blade Frame w/o Base Angle (X)		21452	Removable Spring Assy (LD <sup>2</sup> , X, 9" MC, 10" MC <sup>2</sup> , V)
78	26326	7-1/2" Base Angle (X)	102	20757	Removable Spring Bar (LD <sup>2</sup> , RD, HD, 10" MC <sup>2</sup> )
	27558	8" Base Angle (X)		21450	Removable Spring Bar (LD <sup>2</sup> , X, 9" MC, 10" MC <sup>2</sup> , V)
	27285	8-1/2" Base Angle (X)	103	27406	Trip Spring (LD <sup>2</sup> , RD, HD, 10" MC <sup>2</sup> )
79	27241	1 x 6 Pin w/Cotter Pin (8-1/2" X Outer Pins Only)		5323	Trip Spring (LD <sup>2</sup> , X, 9" MC, 10" MC <sup>2</sup> , V)
	7905K	1 x 6 Pin w/Cotter Pin (8-1/2" X Outer Pins Only)	104	26656K	Shoulder Bolt w/Locknut
80	95410	3/8-16 Hex Locknut			

<sup>1</sup> = Distinguished by a box-style rear support; blade height is 23" (not shown above)  
<sup>2</sup> = Distinguished by a tube-style rear support; blade height is 26" (shown above)  
<sup>3</sup> = Distinguished by a 1" base angle pin, a 1/2" Top Anchor and notches in the pivot plates (not shown above)  
<sup>4</sup> = Distinguished by a 1" base angle pin, a 1/2" Top Anchor and no notches in the pivot plates (shown above)



### ACCESSORIES

Item	Part	Description	Item	Part	Description
110	28549	Universal Label Replacement Kit	118	5534	9" Steel Cutting Edge (HD)
111	22400K	2 oz. Dielectric Grease Tube		28575	7-1/2" Steel Cutting Edge (X)
112	26018-1	Mini Strobe Light		27580	8" Steel Cutting Edge (X)
113	26019	Full-Size Strobe Light		27585	8-1/2" Steel Cutting Edge (X)
114	26020-1	Mini Bar Light		27590	9" Steel Cutting Edge (X)
				27362	9" Steel Cutting Edge (MC)
				27239	10" Steel Cutting Edge - 2 Sections (MC)
				28408	8-1/2" Steel Cutting Edge (V)
116	27100	7-1/2", 8", 8-1/2", & 9" SnoFoil <sup>®</sup> Assembly		26593	9-1/2" Steel Cutting Edge (V)
				27590	9" Steel Cutting Edge (X)
				27362	9" Steel Cutting Edge (MC)
				27239	10" Steel Cutting Edge - 2 Sections (MC)
				28408	8-1/2" Steel Cutting Edge (V)
				26593	9-1/2" Steel Cutting Edge (V)
117	22470-1	7-1/2", 8", 8-1/2", & 9" Rubber Deflector (LD, RD, HD)	119	27930	Minute Mount <sup>®</sup> 2 Emergency Parts Kit
				20043	Spring Replacement Tool
				27906	Blade Guide Set (LD <sup>2</sup> , RD, HD, X)
				26530K	Commercial Blade Guide Set (All)
				22380	9" SnoFoil <sup>®</sup> Assembly (MC)
				22200	10" SnoFoil <sup>®</sup> Assembly (MC)
				27239	10" Steel Cutting Edge - 2 Sections (MC)
				20043	Spring Replacement Tool
				27906	Blade Guide Set (LD <sup>2</sup> , RD, HD, X)
				26530K	Commercial Blade Guide Set (All)
				22380	9" SnoFoil <sup>®</sup> Assembly (MC)
				22200	10" SnoFoil <sup>®</sup> Assembly (MC)
				27239	10" Steel Cutting Edge - 2 Sections (MC)
				20043	Spring Replacement Tool
				27906	Blade Guide Set (LD <sup>2</sup> , RD, HD, X)
				26530K	Commercial Blade Guide Set (All)
				22380	9" SnoFoil <sup>®</sup> Assembly (MC)
				22200	10" SnoFoil <sup>®</sup> Assembly (MC)
				27239	10" Steel Cutting Edge - 2 Sections (MC)
				20043	Spring Replacement Tool
				27906	Blade Guide Set (LD <sup>2</sup> , RD, HD, X)
				26530K	Commercial Blade Guide Set (All)
				22380	9" SnoFoil <sup>®</sup> Assembly (MC)
				22200	10" SnoFoil <sup>®</sup> Assembly (MC)
				27239	10" Steel Cutting Edge - 2 Sections (MC)
				20043	Spring Replacement Tool
				27906	Blade Guide Set (LD <sup>2</sup> , RD, HD, X)
				26530K	Commercial Blade Guide Set (All)
				22380	9" SnoFoil <sup>®</sup> Assembly (MC)
				22200	10" SnoFoil <sup>®</sup> Assembly (MC)
				27239	10" Steel Cutting Edge - 2 Sections (MC)
				20043	Spring Replacement Tool
				27906	Blade Guide Set (LD <sup>2</sup> , RD, HD, X)
				26530K	Commercial Blade Guide Set (All)
				22380	9" SnoFoil <sup>®</sup> Assembly (MC)
				22200	10" SnoFoil <sup>®</sup> Assembly (MC)
				27239	10" Steel Cutting Edge - 2 Sections (MC)
				20043	Spring Replacement Tool
				27906	Blade Guide Set (LD <sup>2</sup> , RD, HD, X)
				26530K	Commercial Blade Guide Set (All)
				22380	9" SnoFoil <sup>®</sup> Assembly (MC)
				22200	10" SnoFoil <sup>®</sup> Assembly (MC)
				27239	10" Steel Cutting Edge - 2 Sections (MC)
				20043	Spring Replacement Tool
				27906	Blade Guide Set (LD <sup>2</sup> , RD, HD, X)
				26530K	Commercial Blade Guide Set (All)
				22380	9" SnoFoil <sup>®</sup> Assembly (MC)
				22200	10" SnoFoil <sup>®</sup> Assembly (MC)
				27239	10" Steel Cutting Edge - 2 Sections (MC)
				20043	Spring Replacement Tool
				27906	Blade Guide Set (LD <sup>2</sup> , RD, HD, X)
				26530K	Commercial Blade Guide Set (All)
				22380	9" SnoFoil <sup>®</sup> Assembly (MC)
				22200	10" SnoFoil <sup>®</sup> Assembly (MC)
				27239	10" Steel Cutting Edge - 2 Sections (MC)
				20043	Spring Replacement Tool
				27906	Blade Guide Set (LD <sup>2</sup> , RD, HD, X)
				26530K	Commercial Blade Guide Set (All)
				22380	9" SnoFoil <sup>®</sup> Assembly (MC)
				22200	10" SnoFoil <sup>®</sup> Assembly (MC)
				27239	10" Steel Cutting Edge - 2 Sections (MC)
				20043	Spring Replacement Tool
				27906	Blade Guide Set (LD <sup>2</sup> , RD, HD, X)
				26530K	Commercial Blade Guide Set (All)
				22380	9" SnoFoil <sup>®</sup> Assembly (MC)
				22200	10" SnoFoil <sup>®</sup> Assembly (MC)
				27239	10" Steel Cutting Edge - 2 Sections (MC)
				20043	Spring Replacement Tool
				27906	Blade Guide Set (LD <sup>2</sup> , RD, HD, X)
				26530K	Commercial Blade Guide Set (All)
				22380	9" SnoFoil <sup>®</sup> Assembly (MC)
				22200	10" SnoFoil <sup>®</sup> Assembly (MC)
				27239	10" Steel Cutting Edge - 2 Sections (MC)
				20043	Spring Replacement Tool
				27906	Blade Guide Set (LD <sup>2</sup> , RD, HD, X)
				26530K	Commercial Blade Guide Set (All)
				22380	9" SnoFoil <sup>®</sup> Assembly (MC)
				22200	10" SnoFoil <sup>®</sup> Assembly (MC)
				27239	10" Steel Cutting Edge - 2 Sections (MC)
				20043	Spring Replacement Tool
				27906	Blade Guide Set (LD <sup>2</sup> , RD, HD, X)
				26530K	Commercial Blade Guide Set (All)
				22380	9" SnoFoil <sup>®</sup> Assembly (MC)
				22200	10" SnoFoil <sup>®</sup> Assembly (MC)
				27239	10" Steel Cutting Edge - 2 Sections (MC)
				20043	Spring Replacement Tool
				27906	Blade Guide Set (LD <sup>2</sup> , RD, HD, X)
				26530K	Commercial Blade Guide Set (All)
				22380	9" SnoFoil <sup>®</sup> Assembly (MC)
				22200	10" SnoFoil <sup>®</sup> Assembly (MC)
				27239	10" Steel Cutting Edge - 2 Sections (MC)
				20043	Spring Replacement Tool
				27906	Blade Guide Set (LD <sup>2</sup> , RD, HD, X)
				26530K	Commercial Blade Guide Set (All)
				22380	9" SnoFoil <sup>®</sup> Assembly (MC)
				22200	10" SnoFoil <sup>®</sup> Assembly (MC)
				27239	10" Steel Cutting Edge - 2 Sections (MC)
				20043	Spring Replacement Tool
				27906	Blade Guide Set (LD <sup>2</sup> , RD, HD, X)
				26530K	Commercial Blade Guide Set (All)
				22380	9" SnoFoil <sup>®</sup> Assembly (MC)
				22200	10" SnoFoil <sup>®</sup> Assembly (MC)
				27239	10" Steel Cutting Edge - 2 Sections (MC)
				20043	Spring Replacement Tool
				27906	Blade Guide Set (LD <sup>2</sup> , RD, HD, X)
				26530K	Commercial Blade Guide Set (All)
				22380	9" SnoFoil <sup>®</sup> Assembly (MC)